

Kidde Fire Systems

Natura™ Inert Gas System

Component Description



Effective: April 2022
K-38-3001 Rev AC

140 Liter Manifold Components

FEATURES

- For Approvals, see the “COMPATIBILITY” table.
- REACH and RoHS compliant

DESCRIPTION

140 Liter manifolds are available in single and double row configurations. Manifold includes a check valve at each inlet port. Manifolds can be coupled together using the 2 in. BSP Manifold Coupling (P/N: 38-400020-100) and capped off using a 2 in. BSP Manifold Endcap (P/N: 38-400020-101).

SPECIFICATIONS

Test Pressure: 105 bar (1523 psi)
Max WP: 70 bar (1015 psi)
Material: Mild Steel 2" SCH 40
Finish: Electro Zinc Plated

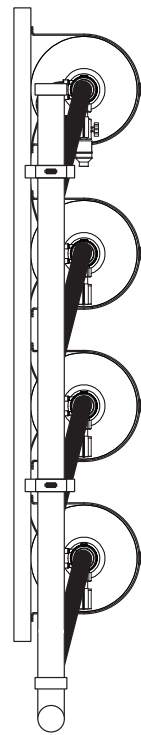
Temp Range(s):

FM Approved / UL Listed: -4° to 130°F (-20° to 54°C)*

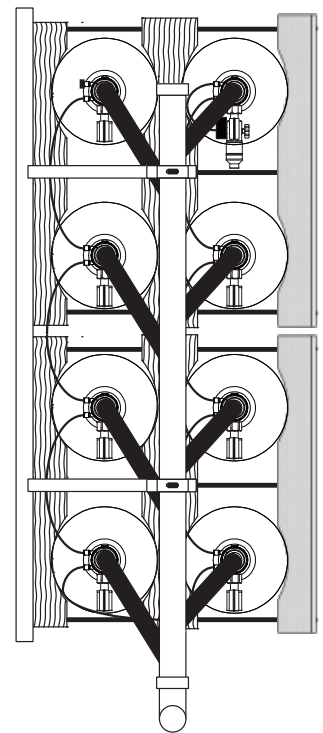
*Unless superseded by local/national standards

ORDERING INFORMATION

Part Number	Description
38-351140-004	140 Liter 2 Stub 1 Row 2 in. Manifold BSP, with 2 manifold check valves
38-351140-005	140 Liter 3 Stub 1 Row 2 in. Manifold BSP, with 3 manifold check valves
38-351140-006	140 Liter 4 Stub 1 Row 2 in. Manifold BSP, with 4 manifold check valves
38-351140-007	140 Liter 5 Stub 1 Row 2 in. Manifold BSP, with 5 manifold check valves
38-351140-008	140 Liter 6 Stub 1 Row 2 in. Manifold BSP, with 6 manifold check valves
38-351140-009	140 Liter 4 Stub 2 Row 2 in. Manifold BSP, with 4 manifold check valves
38-351140-010	140 Liter 6 Stub 2 Row 2 in. Manifold BSP, with 6 manifold check valves
38-351140-011	140 Liter 8 Stub 2 Row 2 in. Manifold BSP, with 8 manifold check valves

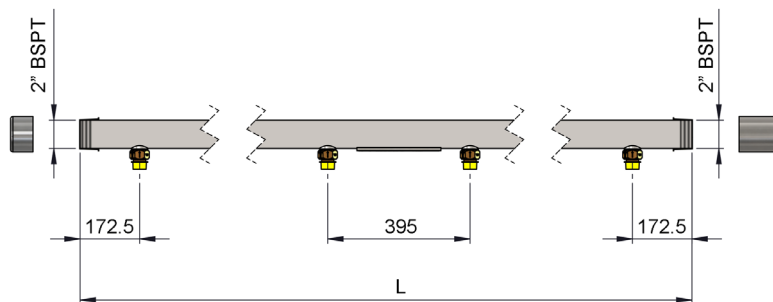


Single Row Manifold
Top View



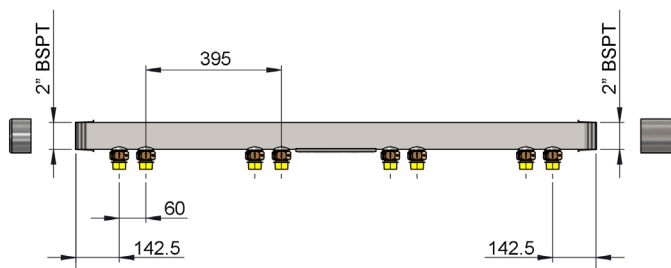
Double Row Manifold
Top View

SINGLE ROW MANIFOLD DIMENSIONS



Part Number	Cylinder Quantity	Length, L (in.)	Length, L (mm)	Volume (cubic feet)	Approx. Weight
38-351140-004	2	29.1	740	0.057	4.6 kg (10.2 lbs)
38-351140-005	3	44.7	1135	0.087	7.0 kg (15.4 lbs)
38-351140-006	4	60.2	1530	0.117	9.3 kg (20.6 lbs)
38-351140-007	5	75.8	1925	0.147	11.7 kg (25.8 lbs)
38-351140-008	6	91.3	2320	0.177	14.0 kg (31.0 lbs)

DOUBLE ROW MANIFOLD DIMENSIONS



Part Number	Cylinder Quantity	Length, L (in.)	Length, L (mm)	Volume (cubic feet)	Approx. Weight
38-351140-009	4	29.1	740	0.057	5.2 kg (11.4 lbs)
38-351140-010	6	44.7	1135	0.087	7.8 kg (17.2 lbs)
38-351140-011	8	60.2	1530	0.117	10.4 kg (23.0 lbs)

COMPATIBILITY

Series	DIOM P/N	Approvals*
Natura™ Inert Gas System	06-237619-001	FM, UL
Natura™ Inert Gas System	06-237598-001	LPCB

* For additional listings, contact Kidde Fire Systems

EXPORT INFORMATION (USA)

Jurisdiction: EAR
Classification: EAR99

This document contains technical data subject to the EAR.

All trademarks are property of their respective owners.

This literature is provided for informational purposes only. KIDDE-FENWAL, INC. believes this data to be accurate, but it is published and presented without any guarantee or warranty whatsoever. KIDDE-FENWAL, INC. assumes no responsibility for the product's suitability for a particular application. The fire suppression system design, installation, maintenance, service and troubleshooting must be performed by trained, authorized Kidde Fire Systems distributors for the product to work correctly. If you need more information on this product, or if you have a particular problem or question, contact: KIDDE-FENWAL, INC., Ashland, MA 01721 USA, Telephone: (508) 881-2000.